



Easy to install and an ideal replacement for aging analog and digital clocks with limited functionality.



CH93 (6420093-0)



CH93HP (6420093-3)



CH93HP (6420093-2)



CH93HP (6420093-4)



CH93MAX (6420093-5)



CHRONOS Digital Clocks / USB Chargers

Manufactured by Mid-Continent Instruments and Avionics

CHRONOS DIGITAL CLOCKS FEATURE UP TO 8 MODES AND USB POWER.

- Six-digit, seven-segment LED clock
- **8 Modes** Local Time, UTC / Zulu Time, Flight Timer, Countdown Timer, Stopwatch, Volts, OAT and Secondary Air Temp
- Clock settings include 12- or 24-hour mode and seconds On or Off
- External lighting control and built-in photocell for automatic dimming
- Internal, field-replaceable battery maintains Time and Flight Timer memory, without aircraft power
- Compact, 2-inch size fits standard panel cutout
- Up to 75 watts total USB power
- Compatible with Apple, Android and other USB devices
- Protects itself and the charging device from short circuit, power surges and over-current potential
- Designed and built in Wichita, Kansas, USA
- 2-year limited warranty

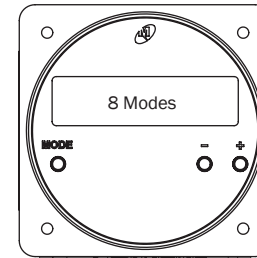
CHRONOS

Digital Clocks / USB Chargers

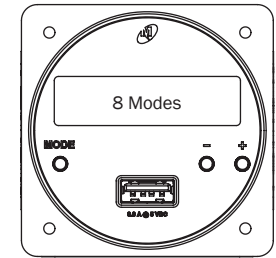
Manufactured by Mid-Continent Instruments and Avionics

SPECIFICATIONS

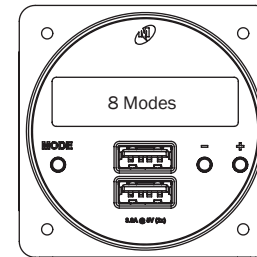
Power Input	6420093-0	10–32 VDC; 5 W maximum	0.3A @ 14 VDC; 0.15A @ 28 VDC
	6420093-3	10–32 VDC; 21 W maximum	1.5A @ 14 VDC; 0.75A @ 28 VDC
	6420093-2, -4	10–32 VDC; 36 W maximum	2.6A @ 14 VDC; 1.3A @ 28 VDC
	6420093-5	22–32 VDC; 84 W maximum	3.0A @ 28 VDC
USB Power Output	6420093-0	N/A	
	6420093-3	5.0 ± 0.25 VDC; 15 W, 3.0A total	
	6420093-2, -4	5.0 ± 0.25 VDC; 30 W, 6.0A total	
	6420093-5	5–20 VDC (variable); 75 W, 6.0A total	
Clock Accuracy	±0.5 seconds in 24 hours, ± 3 minutes per year		
Weight	5.0 oz (0.3 lbs)		
Modes	6420093-0, -3, -4, -5	8 Modes	Volts, OAT, Secondary Air Temp, Local Time, UTC/Zulu Time, Flight Timer, Countdown Timer, Stopwatch
	6420093-2	5 Modes	Local Time, UTC/Zulu Time, Flight Timer, Countdown Timer, Stopwatch
Operating Temp	-40°C to 70°C (-40°F to 158°F)		
Altitude	55,000 feet		
Mounting	Rear-panel mounted, (4) #6 screws		
Dimensions	6420093-0, -3, -4, -5	2.39 x 2.39 x 1.22 inches	
	6420093-2	2.39 x 2.39 x 1.15 inches	
Connector Kit	6420093-0, -3, -4, -5	MCIA P/N 9018178-1	
	6420093-2	MCIA P/N 9018178	
USB Interface	6420093-0	None	
	6420093-2, -3, -4	USB-A	
	6420093-5	USB-A / USB-C PD	
Case	Anodized aluminum black		
Certification	FAA TSO certified to C71		
	EASA ETSO certified to C71		
	RTCA DO-160G qualified		



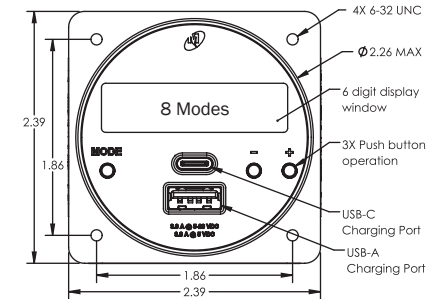
CH93 (6420093-0)



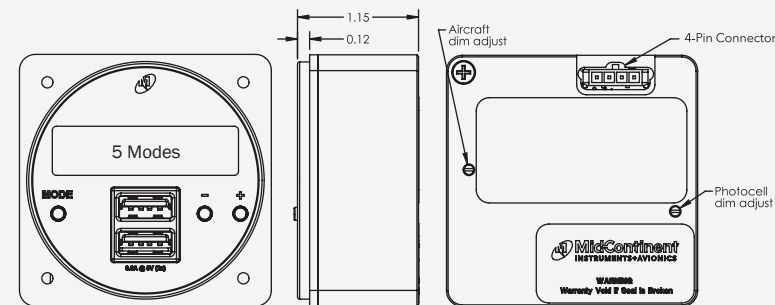
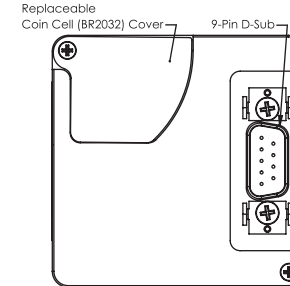
CH93HP (6420093-3)
Single Port



CH93HP (6420093-4)
Dual Port



CH93MAX (6420093-5)
Dual Port



CH93HP (6420093-2)
Dual Port