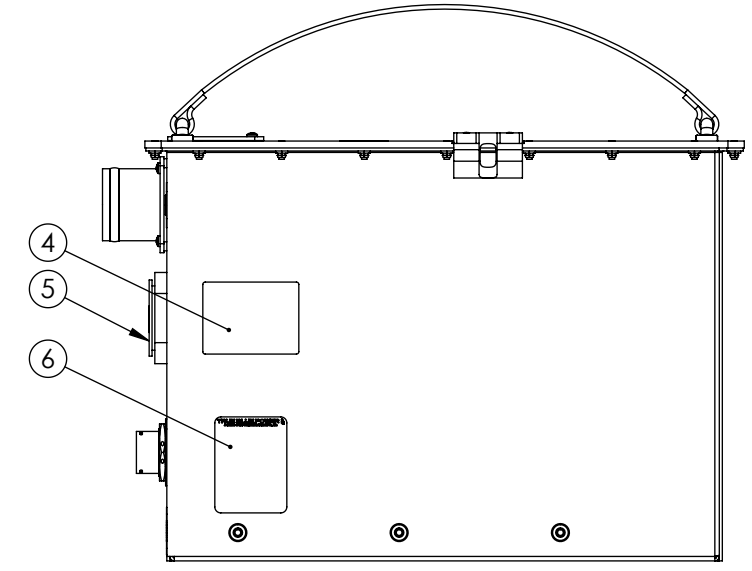
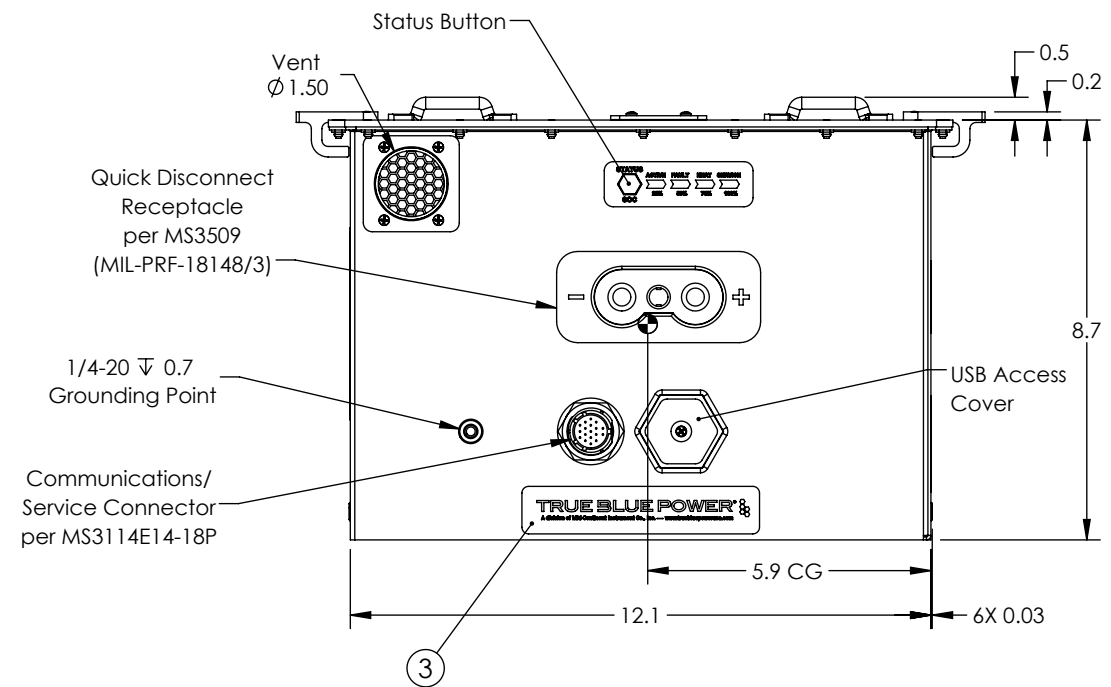
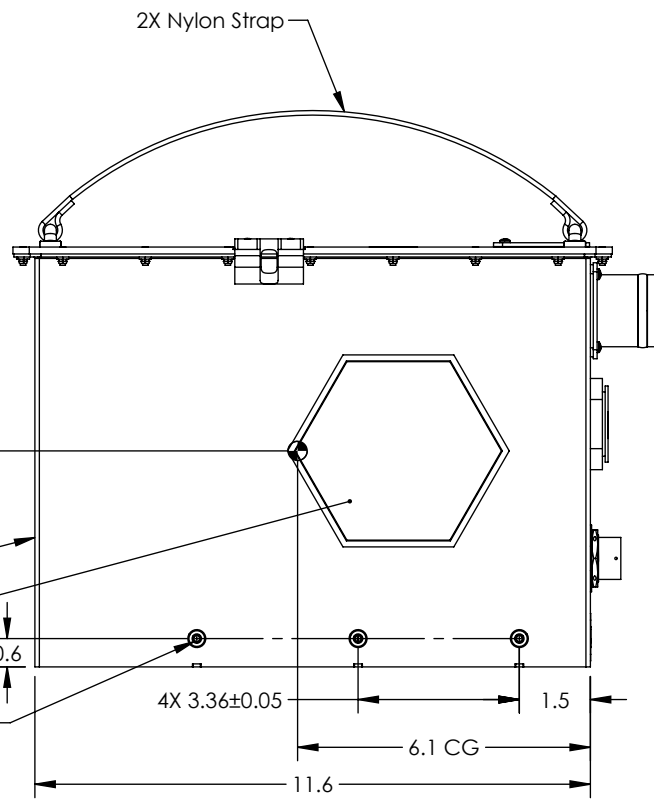
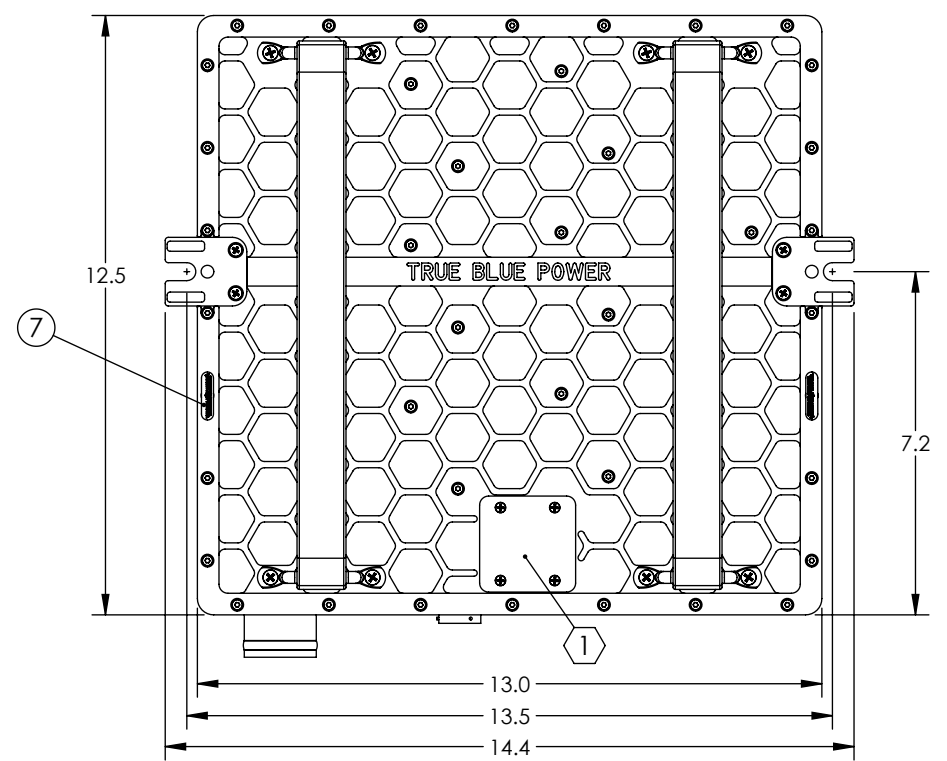


Configuration	
Dash #	
-1	As Shown

Revision				
ECO	Rev.	Description	Date	Approved
	A	Production release.	11/13/20	MKN/WVC
7506	B	Updated dimension from 3.4 to 3.36, and pinout; added notes 2, 3, and grounding point depth.	06/24/22	VAA/MKN


Comm/Service	
PIN	Description
A	Analog SOC
B	Battery Disable Input
C	Heater Disable Input
D	RTD-1A
E	RTD-1B
F	RTD-2A
G	RTD-2B
H	ARINC 429 (A)
J	Service Discrete
K	Fault Discrete
L	Heating Discrete
M	SOC Insufficient Discrete
N	Analog Ground
P	Spare/ BMS Ref (3)
R	Spare
S	ARINC Ground
T	Engine Start Unavailable Discrete
U	ARINC 429 (B)



Specifications	
Model Number	TB60
Power Input	28.8 VDC Nominal, 600 A Max
Power Output	26.4 VDC Nominal, 1500 A Max
Rated Capacity	60 Ah @ 23 °C
Certification and Qualifications	FAA TSO-C179b, Class A-4B RTCA DO-311A RTCA DO-160G (See manual)
Weight	52.9 lbs
Install Manual	MCIA P/N 9019485

Note:
 1 Alternate location for vent.
 2 Do not use for mounting battery.
 3 BMS reference not applicable to -1 units.

Item	Qty	Part Number	Description
1	1	9019404-1	Advanced Li-Ion Battery, TB60
2	1	9017444	Label, Safety
3	1	9017130-1	Label, True Blue Power
4	1	9019257-1	Label, Battery, Charge Reminder
5	1	9017439-1	Dust Cap, Quick Disconnect
6	1	9019113-4	Nameplate, LI Battery
7	2	6018956-1	Decal, Warranty, TBP

UNLESS OTHERWISE SPECIFIED, ALL DIMENSIONS ARE IN INCHES. TOLERANCE: .X=±0.065 .XX=±0.015 .XXX=±0.005 .XXXX=±0.002 ANGULAR=±0.5° WEIGHT N.T.E. +5% BREAK ALL SHARP EDGES THREADS PER MIL-S-7742	DRAWN: MKN 01/21/2020	This document discloses proprietary information of Mid-Continent Instrument Co., Inc. It may be reproduced or disclosed only with written permission of Mid-Continent Instrument Co., and is not to be used in any way detrimental to the interests of Mid-Continent Instrument Co., Inc.	 A division of Mid-Continent Instrument Co., Inc.
	APPROVED: WVC 11/13/2020		
SCALE: 1:4		DO NOT SCALE THIS DRAWING	SHEET: 1 of 1