

TRUE BLUE POWER®

A division of Mid-Continent Instrument Co., Inc.

120 Watt DC-to-DC Converter

TC120 Series

Manufactured by Mid-Continent Instrument Co., Inc.

The TC120 Series Converter supplies 120 watts of 5 to 18-volt power to electronic equipment, lighting and cabin accessories.



TC120

The highly efficient TC120 Series DC-to-DC Converter produces 120 watts of power from an aircraft's 28 VDC input. Engineered with a fanless design, the TC120 saves space and reduce weight.

The TC120 Series Converter produces enough energy to power electronic equipment throughout the aircraft, including in-seat, cabin and cockpit power applications. Lighter and smaller than competing units, the TC120 can be conveniently mounted in the floor or cabin wall.

Product features

OUTPUT POWER	120 Watts
INPUT VOLTAGE	24 – 32 VDC
OUTPUT VOLTAGE	5 – 18 VDC adjustable
EFFICIENCY	95%
REMOTE ON/OFF	Optional
COOLING	None required
PROTECTION	Input transient, overload and short circuit, temperature monitoring, reverse polarity
DESIGNED AND MANUFACTURED	Wichita, Kansas, USA
WARRANTY	Two-year limited

Kansas

9400 East 34th Street North
Wichita, Kansas 67226 USA
Tel 316.630.0101 800.821.1212
Fax 316.630.0723
tbp@mcico.com

California

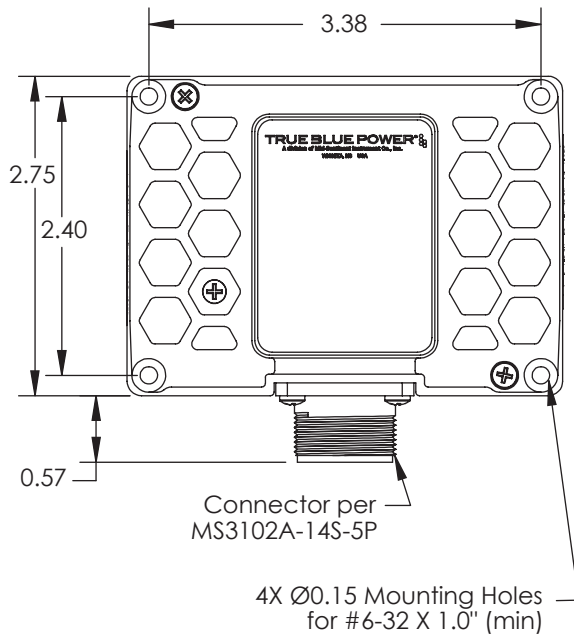
16320 Stagg Street
Van Nuys, California 91406 USA
Tel 818.786.0300 800.345.7599
Fax 818.786.2734
tbp@mcico.com

truebluepowerusa.com

120 Watt DC-to-DC Converter

TC120 Series

Manufactured by Mid-Continent Instrument Co., Inc.

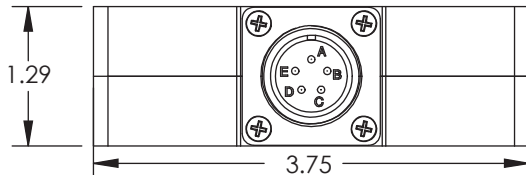


Technical specifications

INPUT VOLTAGE	24 – 32 VDC
INPUT CURRENT	5.0 A Nominal
OUTPUT VOLTAGE	5 – 18 VDC adjustable
OUTPUT POWER	120 watts
REGULATION	1% load, 2% temperature
WEIGHT	0.65 lbs (0.29 kg)
ALTITUDE	55,000 ft
TEMPERATURE	-67°F to +158°F (-55°C to +70°C)
MATING CONNECTOR	P/N 9018651 (6430120-1, 6430120-2)
CASE	Anodized aluminum, blue
CERTIFICATION	FAA TSO C71 certified RTCA DO-160G qualified

Two options to choose from

Part Number 6430120-1



Part Number 6430120-2 (with remote on/off feature)

