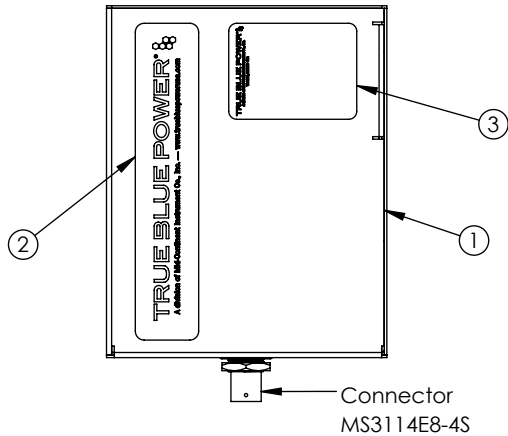
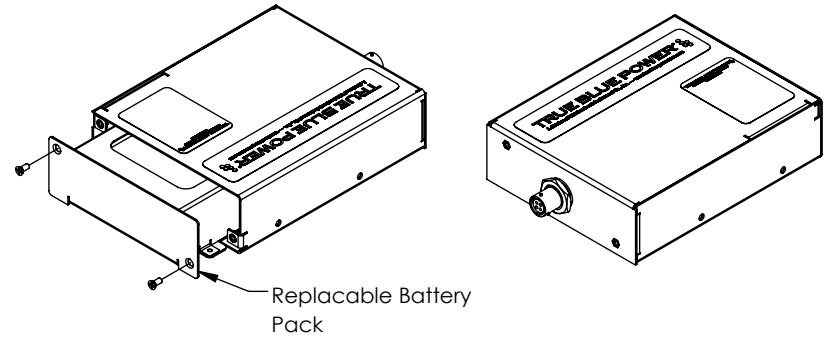


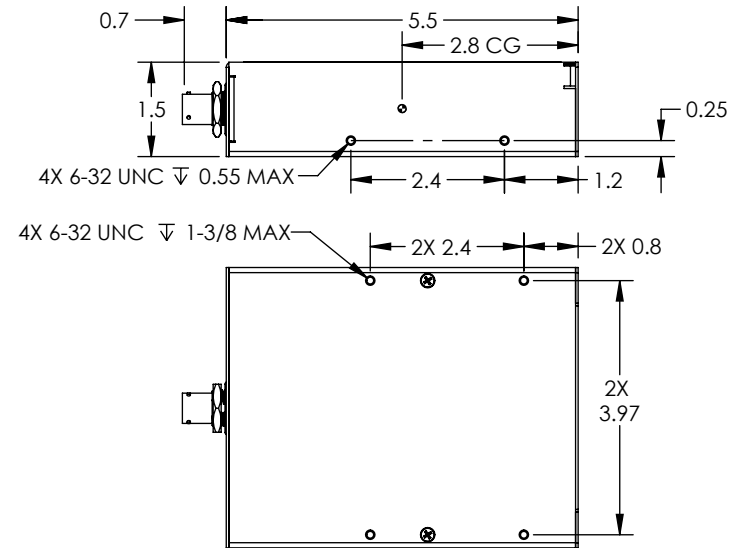
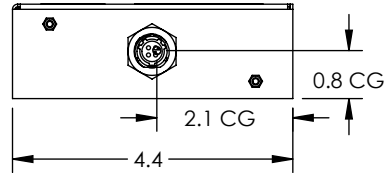
Configuration	
Dash #	
-1	As shown



Revision				
ECO	Rev.	Description	Date	Approved
	A	Production release.	07/27/23	VAA/BAW
7693	B	Added image of second mounting option.	10/17/23	VAA/MKN



Connector Pin-out	
MS3114E8-4S	
Pin	Pin Function
A	Input
B	Ground
C	Vout
D	Vout



Specifications	
Model Number	TS28
Power Input	28 VDC Nominal, 0.8 A Max
Power Output	24 VDC Nominal, 3 A Max
Rated Capacity; Energy	1.1 Ah; 28 Wh @ 23°C
Certification and Qualifications	FAA TSO-C173a RTCA DO-293A RTCA DO-160G (See install manual for categories)
Mating Connector	9015514-1
Weight	1.7 lbs; 0.76 kg
Replacement Battery	MCIA P/N 9019931
Install Manual	MCIA P/N 9019932

Item	Qty	Part Number	Description
1	1	9019843-1	Assy, TS28
2	1	9017130-1	Label, True Blue Power
3	1	9019844-1	Nameplate, TS28
4	1	SEP-10	Cap, Connector (Not Shown)

UNLESS OTHERWISE SPECIFIED, ALL DIMENSIONS ARE IN INCHES.
TOLERANCE:
.X= ±0.065
.XX= ±0.015
.XXX= ±0.005
.XXXX= ±0.002
ANGULAR= ±0.5°
WEIGHT N.T.E. +5%
BREAK ALL SHARP EDGES
THREADS PER MIL-S-7742

DRAWN:
VAA
03/31/2023

APPROVED:
BAW
07/17/2023

This document discloses proprietary information of Mid-Continent Instrument Co., Inc. It may be reproduced or disclosed only with written permission of Mid-Continent Instrument Co. and is not to be used in any way detrimental to the interests of Mid-Continent Instrument Co., Inc.

TITLE:
Emergency Power Supply, TS28
SCALE: 1:3

TRUE BLUE POWER
A division of Mid-Continent Instrument Co., Inc.

PART NUMBER:
6430028
DO NOT SCALE THIS DRAWING
SHEET: 1 of 1