

TRUE BLUE POWER®

A division of Mid-Continent Instrument Co., Inc.



Emergency Battery Power Supply

TS420

Manufactured by Mid-Continent Instrument Co., Inc.

The TS420 provides 18 volts of rechargeable power for Mid-Continent Instruments and Avionics' products, lighting or critical avionics.



The TS420 Emergency Battery Power Supply simultaneously provides one primary power output and three lighting power outputs. Pitot/Static ports or optional switch input provides the ability to work in automatic mode without pilot intervention.

The TS420 arms at the beginning of flight, recharges during flight, activates instantly upon power loss and turns off after flight.

Units include quality Mil-Spec connectors.

Product features

CAPACITY	1.0 Ah (0.05C) at 25°C
INPUT POWER	10 – 32 VDC; 0.25A nominal, 4.0A max at 14 VDC/2.0A max at 28 VDC
OUTPUT POWER	18 VDC nominal
LIGHTING OUTPUT	Powers LED or incandescent lighting at 5, 14 or 28 VDC
WEIGHT	3.2 lbs
TECHNOLOGY	Nickel metal hydride battery for reliability and cold-weather performance
MAINTENANCE	Annual capacity check Field-replaceable battery modules
RECHARGING	Maintains full charge by recharging during normal flight operations
DESIGNED AND MANUFACTURED	Wichita, Kansas, USA
WARRANTY	Two-year limited

Kansas

9400 East 34th Street North
Wichita, Kansas 67226 USA
Tel 316.630.0101 800.821.1212
Fax 316.630.0723
tbp@mcico.com

California

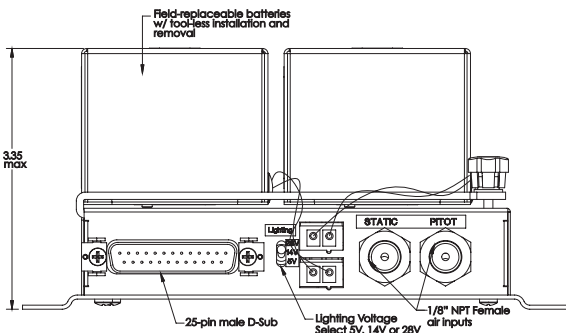
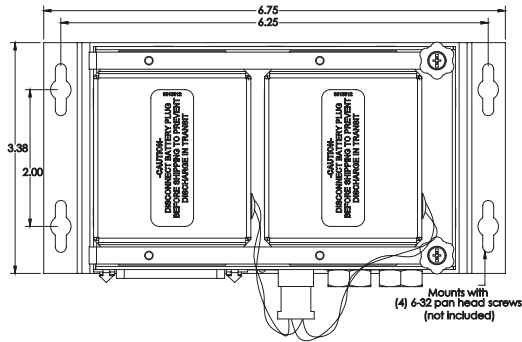
9722 Topanga Canyon Blvd
Chatsworth, California 91311 USA
Tel 818.786.0300 800.345.7599
Fax 818.786.2734
tbp@mcico.com

truebluepowerusa.com

Emergency Battery Power Supply TS420

Manufactured by Mid-Continent Instrument Co., Inc.

TS420



Technical specifications

CAPACITY	1.0 Ah (0.05C) at 25°C
INPUT POWER	10 – 32 VDC, 0.25A nominal, 4.0A max at 14 VDC/2.0A max at 28 VDC
OUTPUT POWER	18 VDC nominal, 1.6 amps max
WEIGHT	3.2 lbs
DIMENSIONS (approx.)	3.35" H x 6.75" L x 3.38" W
MATING CONNECTORS	25-pin female D-Sub (MD25F20JVLO or equivalent) 9-pin female D-Sub (MD9F20JVLO or equivalent)
REMOTE TEST SWITCH	Remote, mini-annunciation switch controls test and manual operations
ANNUNCIATOR LIGHTING	LED backlighting, automatic internal dimming
BATTERY CHARGING	Automatic recharging when main power is present
COMPATIBILITY	Provides 60 minutes or more of backup power to the Mid-Continent Instruments and Avionics 4200 and 4300 Electric Attitude Indicator, and lighting power for two additional instruments (5, 14 or 28V) Battery run time will vary depending on total power load and battery charge status
CERTIFICATION	FAA TSO-C4c certified RTCA DO-160E certified

Remote test switch

